



REPAIR PARTS

GDPI/GDPS/GDPX Gas Furnaces

GDPI050-3
GDPI075-3
GDPI075-4
GDPI100-4
GDPI120-5
GDPS050-2
GDPS075-3
GDPS100-3
GDPS100-4
GDPS120-5
GDPX050-3B
GDPX075-4B
GDPX100-5B
GDPX120-5B

This manual is to be used by qualified technicians only.

This manual replaces RP-160.

© 1992-2008 Goodman Manufacturing Company, L.P. ♦ 5151 San Felipe, Suite 500 ♦ Houston, TX 77056

Important Information

Index

Functional Parts List	3
Illustration and Parts	4 - 13

Views shown are for parts illustrations only, not servicing procedures.

Rev. A: Corrected all heat exchanger part numbers. Changed "18121" to "18212".

Text Codes:

AR - As Required

NA - Not Available

NS - Not Shown

00000000 - See Note

QTY - Quantity Example (QTY 3) (If Quantity not shown, Quantity = 1)

M - Model Example (M1) (If M Code not shown, then part is used on all Models)

Expanded Model Nomenclature:

Example M1 - Model#1 M2 - Model#2 M3 - Model#3

Goodman Manufacturing Company, L.P. is not responsible for personal injury or property damage resulting from improper service. Review all service information before beginning repairs.

Warranty service must be performed by an authorized technician, using authorized factory parts. If service is required after the warranty expires, Goodman Manufacturing Company, L.P. also recommends contacting an authorized technician and using authorized factory parts.

Goodman Manufacturing Company, L.P. reserves the right to discontinue, or change at any time, specifications or designs without notice or without incurring obligations.

For assistance within the U.S.A. contact:
Consumer Affairs Department
Goodman Manufacturing Company, L.P.
7401 Security Way
Houston, Texas 77040
877-254-4729-Telephone
713-863-2382-Facsimile

For assistance outside the U.S.A. contact:
International Division
Goodman Manufacturing Company, L.P.
7401 Security Way
Houston, Texas 77040
713-861-2500-Telephone
713-863-2382-Facsimile

Functional Parts

Part

No: Description:

B1370133	AIR PRESSURE SWITCH (M5, M10, M14)
B1370126	AIR PRESSURE SWITCH (M1, M2, M3, M4, M6, M7, M8, M9, M11, M12, M13)
B1340020	BLOWER MOTOR 1/2 HP, DIRECT DRIVE (M3, M4, M9, M12)
B1340021	BLOWER MOTOR 1/3 HP, DIRECT DRIVE (M1, M2, M6, M7, M8, M11)
B1340023S	BLOWER MOTOR 3/4 HP, DIRECT DRIVE (M5, M10, M13, M14)
CAP100000370VAS	CAPACITOR 10/370V [BLOWER] (M3, M4, M9, M12)
CAP125000370RPS	CAPACITOR 12.5/370V [BLOWER] (M1, M2, M5, M6, M7, M8, M10, M11, M13, M14)
B1497204	ENERGY CUT OFF DEVICE 141°C (M6, M7, M8, M9, M10)
B1370108	FLAME ROLLOUT SWITCH, 300°
B1282602S	GAS VALVE - HONEYWELL (M6, M7, M8, M9, M10)
B1282607S	GAS VALVE, HONEYWELL [OBSOLETE]
B1282606S	GAS VALVE-W.R [OBSOLETE] (M1, M2, M3, M4, M5, M11, M12, M13, M14)
B1370724	IGNITION MODULE 1003-300 (M1, M2, M3, M4, M5, M11, M12, M13, M14)
B1370818	INTERLOCK SWITCH
1370906S	PRIMARY LIMIT SWITCH 150°F (M2, M6, M7)
1370908S	PRIMARY LIMIT SWITCH 160°F (M1, M11)
1370911S	PRIMARY LIMIT SWITCH 220°F (M3, M4, M5, M8, M9, M10, M12, M13, M14)
B1141605	TRANSFORMER 120V TO 24V, 40 VA
B1859000	VENT MOTOR

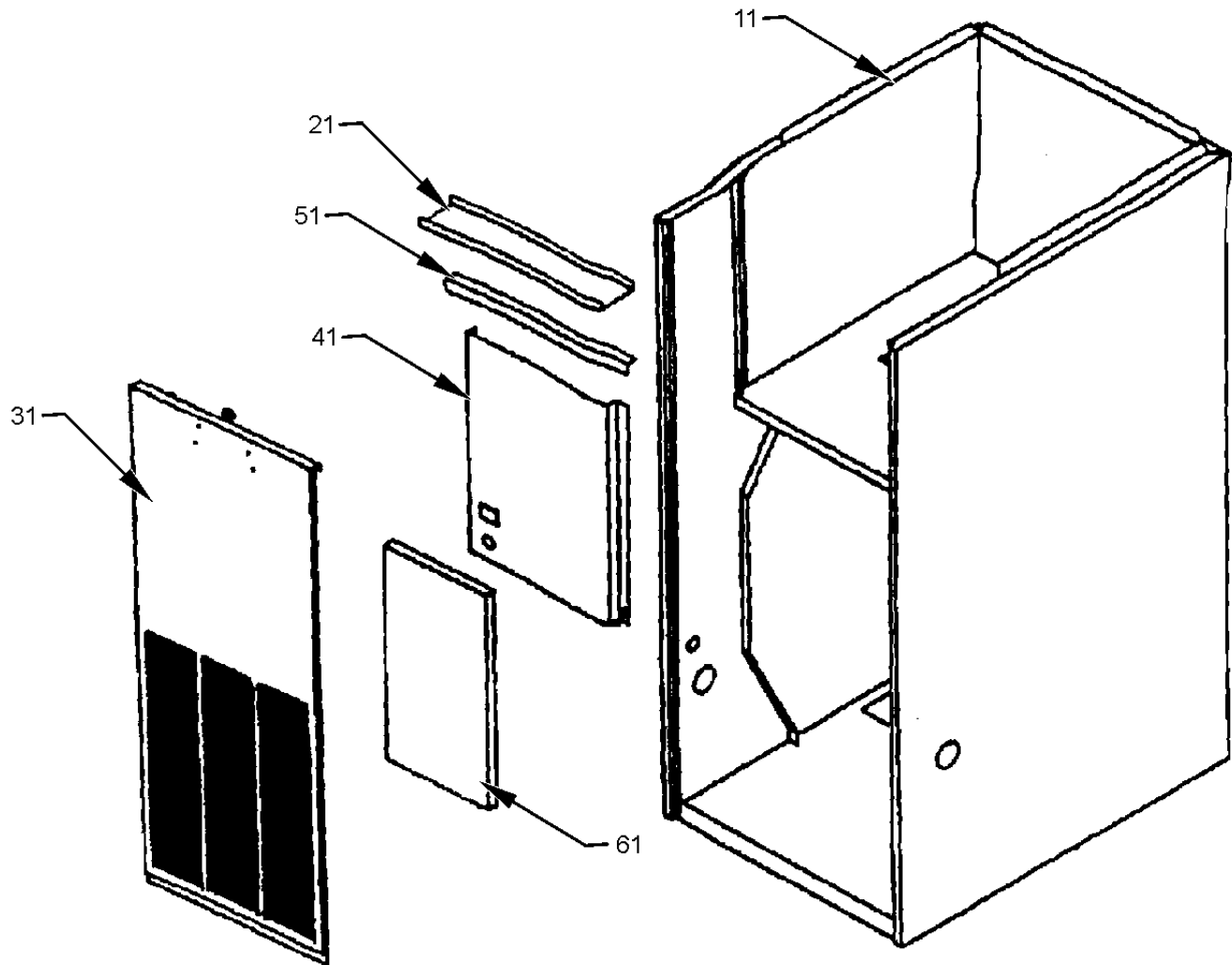
SPECIAL PARTS

RP-160 REPAIR PARTS MANUAL

Expanded Model Nomenclature

M1 - GDPI050-3
M2 - GDPI075-3
M3 - GDPI075-4
M4 - GDPI100-4
M5 - GDPI120-5
M6 - GDPS050-2
M7 - GDPS075-3
M8 - GDPS100-3
M9 - GDPS100-4
M10 - GDPS120-5
M11 - GDPX050-3B
M12 - GDPX075-4B
M13 - GDPX100-5B
M14 - GDPX120-5B

Cabinet Assy



Cabinet Assy

Ref. Part No:	Part No:	Description:	Ref. Part No:	Part No:	Description:
---------------	----------	--------------	---------------	----------	--------------

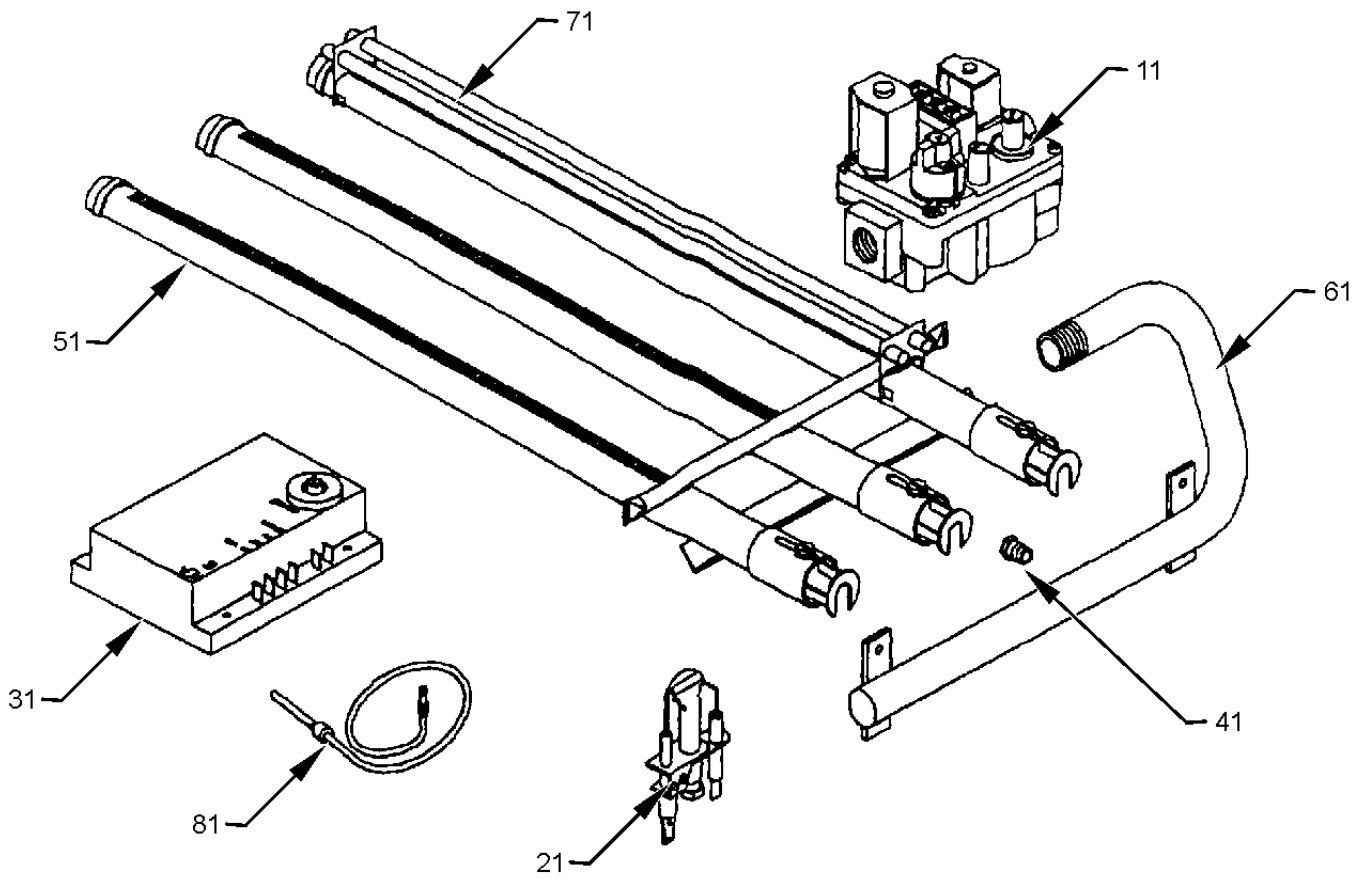
Image 1:

11	1816117P	CABINET ASSY (M3, M4, M8, M9, M12)
11	1816116P	CABINET ASSY [OBSOLETE] (M1, M2, M6, M7, M11)
11	1816118P	CABINET ASSY [OBSOLETE] (M5, M10, M13, M14)
21	1822107P	TOP CHANNEL (M1, M2, M6, M7, M11)
21	1822108P	TOP CHANNEL (M3, M4, M8, M9, M12)
21	1822109P	TOP CHANNEL (M5, M10, M13, M14)
31	1881307P	ACCESS DOOR (M1, M2, M6, M7, M11)
31	1881309P	ACCESS DOOR (M5, M10, M13, M14)
31	1881308P	ACCESS DOOR [OBSOLETE] (M3, M4, M8, M9, M12)
41	1822334	BLOWER DOOR, INNER LEFT HAND (M1, M2, M3, M4, M6, M7, M8, M9, M11, M12)
41	1822335	BLOWER DOOR, INNER LEFT HAND (M5, M10, M13, M14)
51	1881400	TOP ANGLE (M1, M2, M6, M7, M11)
51	1881401	TOP ANGLE (M3, M4, M8, M9, M12)
51	1881402	TOP ANGLE (M5, M10, M13, M14)
61	1822331	BLOWER DOOR, INNER RIGHT HAND (M1, M2, M6, M7, M11)
61	1822332	BLOWER DOOR, INNER RIGHT HAND (M3, M4, M5, M8, M9, M10, M12, M13, M14)

Expanded Model Nomenclature

M1 - GDPI050-3
M2 - GDPI075-3
M3 - GDPI075-4
M4 - GDPI100-4
M5 - GDPI120-5
M6 - GDPS050-2
M7 - GDPS075-3
M8 - GDPS100-3
M9 - GDPS100-4
M10 - GDPS120-5
M11 - GDPX050-3B
M12 - GDPX075-4B
M13 - GDPX100-5B
M14 - GDPX120-5B

Gas Train



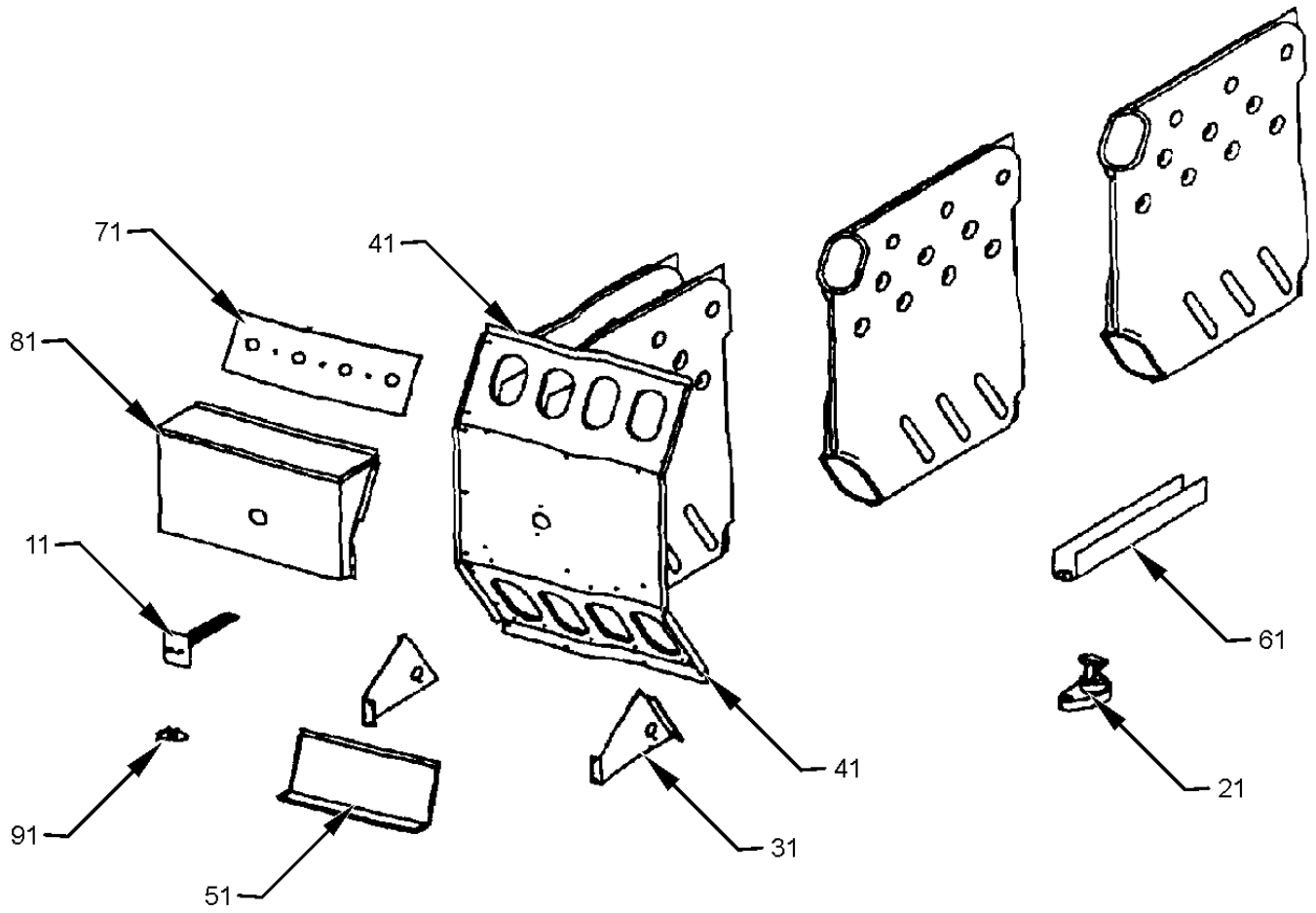
Gas Train

Ref. Part No:	No:	Description:	Ref. Part No:	No:	Description:
<i>Image 1:</i>					
11	B1282602S	GAS VALVE - HONEYWELL (M6, M7, M8, M9, M10)			
11	B1282607S	GAS VALVE, HONEYWELL [OBSOLETE]			
11	B1282606S	GAS VALVE-W.R [OBSOLETE] (M1, M2, M3, M4, M5, M11, M12, M13, M14)			
21	B1401003S	PILOT ASSEMBLY, REVERSE HOOD (M1, M2, M3, M4, M5, M11, M12, M13, M14)			
21	B1401010	PILOT ASSEMBLY, STANDING PILOT (M6, M7, M8, M9, M10)			
31	B1370724	IGNITION MODULE 1003-300 (M1, M2, M3, M4, M5, M11, M12, M13, M14)			
41	B1789343	ORIFICE (QTY AR)			
51	B1822500	BURNER 2 TUBE (M1, M6)			
51	B1822502	BURNER 2 TUBE, LOW NOX (M11)			
51	B1822501	BURNER 3 TUBE (M2, M3, M7)			
51	B1822503	BURNER 3 TUBE, LOW NOX (M12)			
51	B1822507	BURNER 4 TUBE (M4, M8, M9)			
51	B1822504	BURNER 4 TUBE, LOW NOX (M13)			
51	B1822508	BURNER 5 TUBE (M5, M10)			
51	B1822505	BURNER 5 TUBE, LOW NOX (M14)			
61	B1826403	MANIFOLD - 5 BRNR [OBSOLETE] (M5, M10, M14)			
61	B1826400	MANIFOLD 2 CELL (M1, M6, M11)			
61	B1826401	MANIFOLD 3 CELL (M2, M3, M7, M12)			
61	B1826402	MANIFOLD 4 CELL (M4, M8, M9, M13)			
71	B1811200	LOW NOX ROD [OBSOLETE] (M11, M12, M13, M14)			
81	B1172600	18" THERMOCOUPLE (M6, M7, M8, M9, M10)			

Expanded Model Nomenclature

M1 - GDPI050-3
M2 - GDPI075-3
M3 - GDPI075-4
M4 - GDPI100-4
M5 - GDPI120-5
M6 - GDPS050-2
M7 - GDPS075-3
M8 - GDPS100-3
M9 - GDPS100-4
M10 - GDPS120-5
M11 - GDPX050-3B
M12 - GDPX075-4B
M13 - GDPX100-5B
M14 - GDPX120-5B

Heat Exchanger Assy



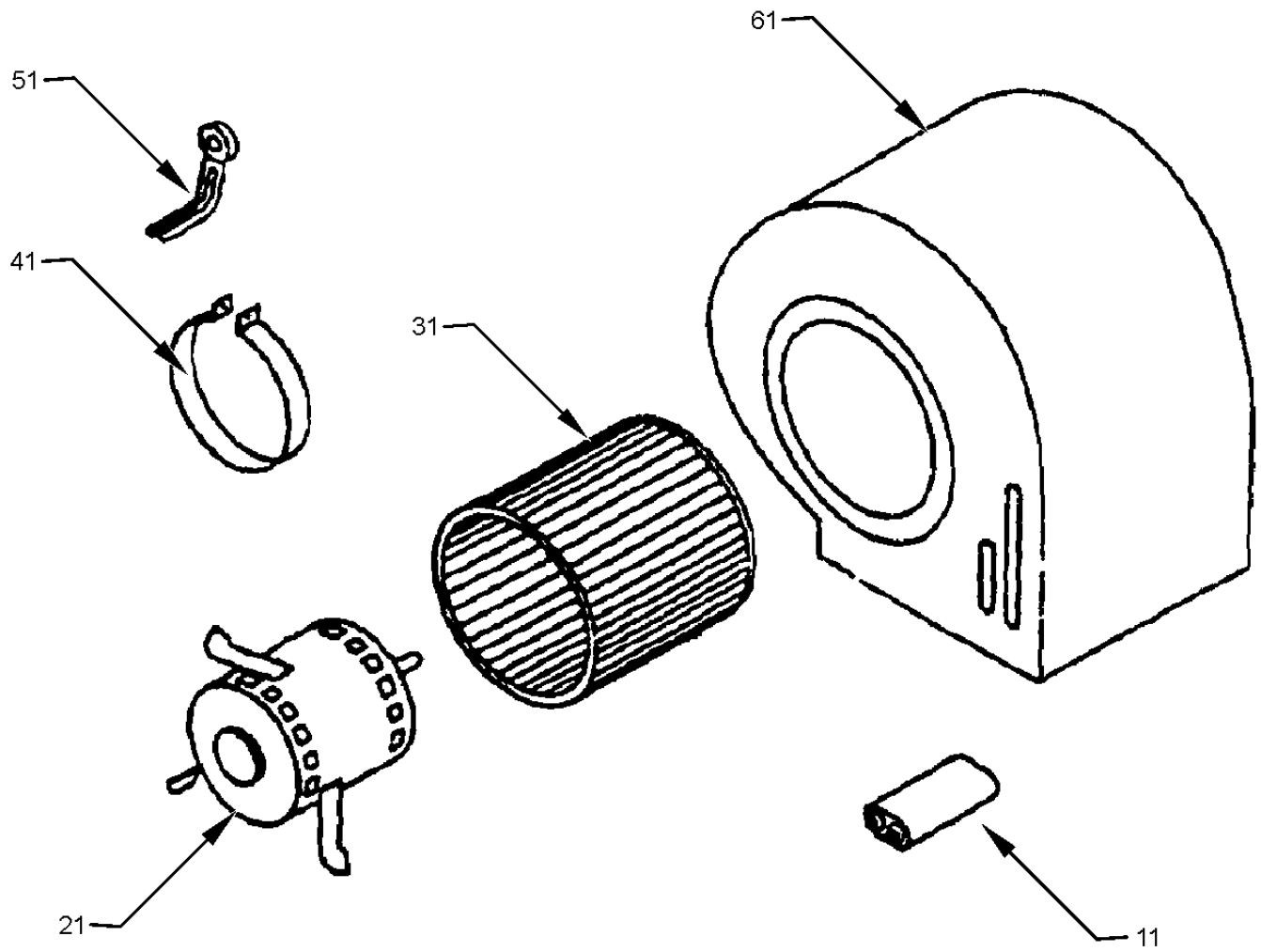
Heat Exchanger Assy

Ref. Part No:	Ref. Part No:	Description:	Description:
<i>Image 1:</i>			
11	1370906S	PRIMARY LIMIT SWITCH 150°F (M2, M6, M7)	
11	1370908S	PRIMARY LIMIT SWITCH 160°F (M1, M11)	
11	1370911S	PRIMARY LIMIT SWITCH 220°F (M3, M4, M5, M8, M9, M10, M12, M13, M14)	
21	B1497204	ENERGY CUT OFF DEVICE 141°C (M6, M7, M8, M9, M10)	
31	1815902	MANIFOLD SUPPORT BRACKET - LH	
31	1815901	MANIFOLD SUPPORT BRACKET - RH	
41	1821214S	SUB-ASSY, HEAT EXCHANGER (M2, M7)	
41	1821215S	SUB-ASSY, HEAT EXCHANGER (M4, M8, M9, M13)	
41	1821216S	SUB-ASSY, HEAT EXCHANGER (M5, M10, M14)	
41	1821232S	SUB-ASSY, HEAT EXCHANGER (M1, M6, M11)	
41	1821236S	SUB-ASSY, HEAT EXCHANGER (M3, M12)	
51	1822416	SECONDARY AIR DOOR (M1, M6, M11)	
51	1822417	SECONDARY AIR DOOR (M2, M3, M7, M12)	
51	1822418	SECONDARY AIR DOOR (M4, M8, M9, M13)	
51	1822419	SECONDARY AIR DOOR [OBSOLETE] (M5, M10, M14)	
61	1822800	FLUE BAFFLE (QTY AR)	
71	1824816	FLUE RESTRICTOR (M1, M6, M11)	
71	1824817	FLUE RESTRICTOR (M2, M3, M7, M12)	
71	1824818	FLUE RESTRICTOR (M4, M8, M9, M13)	
71	1824819	FLUE RESTRICTOR (M5, M10, M14)	
81	1881210	POWER VENT HOOD (M4, M8, M9, M13)	
81	1881217	POWER VENT HOOD (M1, M6, M11)	
81	1881208	POWER VENT HOOD [OBSOLETE] (M5, M10, M14)	
81	1881209	POWER VENT HOOD [OBSOLETE] (M2, M3, M7, M12)	
91	B1370108	FLAME ROLLOUT SWITCH, 300°	

Expanded Model Nomenclature

M1 - GDPI050-3
M2 - GDPI075-3
M3 - GDPI075-4
M4 - GDPI100-4
M5 - GDPI120-5
M6 - GDPS050-2
M7 - GDPS075-3
M8 - GDPS100-3
M9 - GDPS100-4
M10 - GDPS120-5
M11 - GDPX050-3B
M12 - GDPX075-4B
M13 - GDPX100-5B
M14 - GDPX120-5B

Blower Assembly



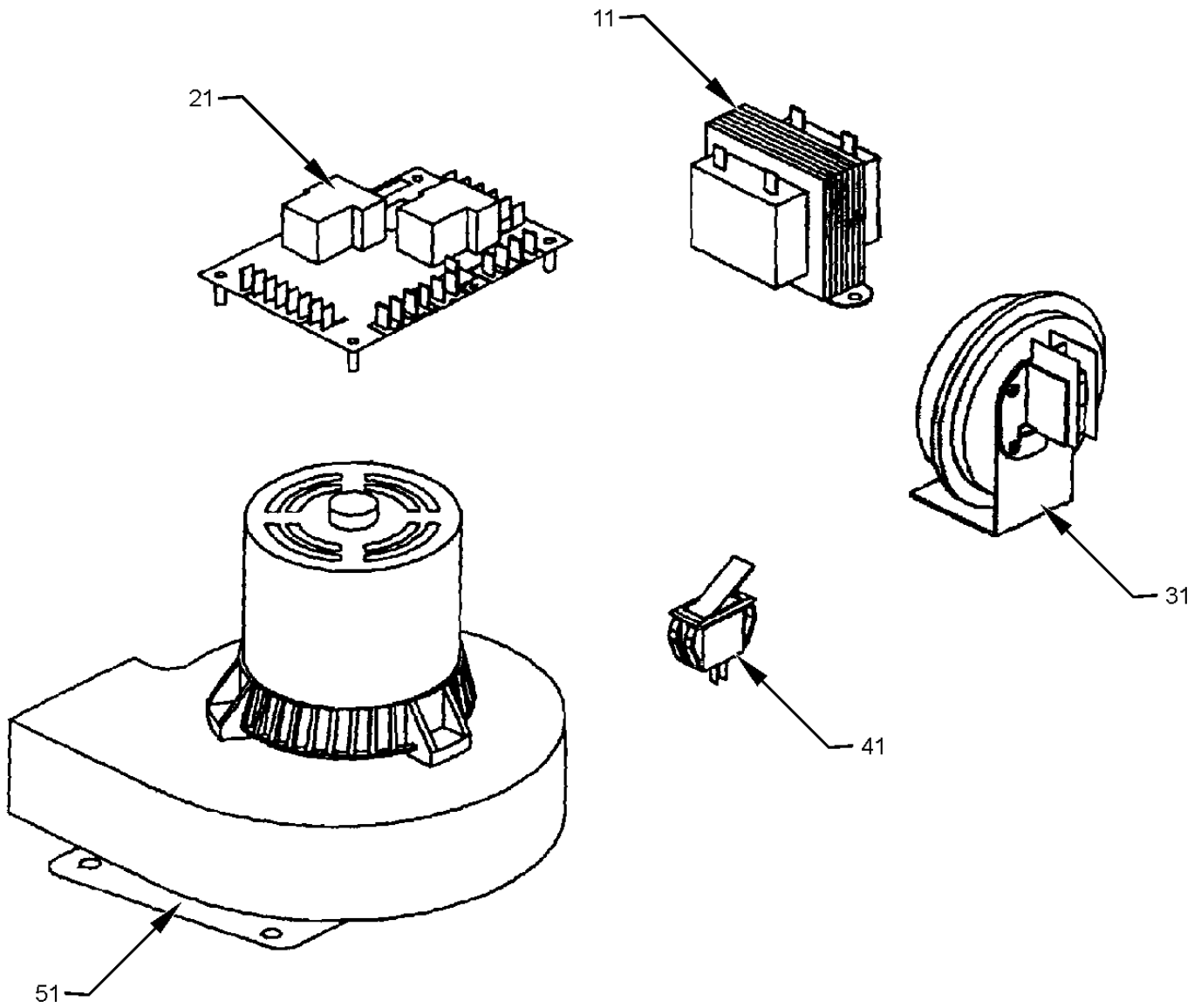
Blower Assembly

Ref. Part No:	No:	Description:	Ref. Part No:	No:	Description:
<i>Image 1:</i>					
11	CAP100000370VAS	CAPACITOR 10/370V [BLOWER] (M3, M4, M9, M12)			
11	CAP125000370RPS	CAPACITOR 12.5/370V [BLOWER] (M1, M2, M5, M6, M7, M8, M10, M11, M13, M14)			
21	B1340020	BLOWER MOTOR 1/2 HP, DIRECT DRIVE (M3, M4, M9, M12)			
21	B1340021	BLOWER MOTOR 1/3 HP, DIRECT DRIVE (M1, M2, M6, M7, M8, M11)			
21	B1340023S	BLOWER MOTOR 3/4 HP, DIRECT DRIVE (M5, M10, M13, M14)			
31	B1368034S	BLOWER WHEEL 10 X 6 (M1, M2, M6, M7, M11)			
31	B1368016S	BLOWER WHEEL 10 X 8 (M3, M4, M8, M9, M12)			
31	B1368000S	BLOWER WHEEL 11 X 10 (M5, M10, M13, M14)			
41	B1376851	MOTOR MOUNT BAND (M5, M10, M13, M14)			
51	B1376857	MOTOR MOUNT ARM (M5, M10, M13, M14)			
61	1439303	BLOWER HOUSING ASSY (11 X 10) & (10 X 10) (M5, M10, M13, M14)			
61	2539300S	BLOWER HOUSING ASSY w/o CUT-OFF 764730 (M1, M2, M6, M7, M11)			
61	1439391S	BLOWER HOUSING ASSY w/o CUT-OFF 764736 (M3, M4, M8, M9, M12)			
NS	1868242S	BLOWER ASSY (10 X 6) [OBSOLETE] (M1, M11)			
NS	1868245S	BLOWER ASSY (10 X 6) [OBSOLETE] (M6)			
NS	1868246S	BLOWER ASSY (10 X 6) [OBSOLETE] (M2, M7)			
NS	18682451S	BLOWER ASSY (10 X 8) (M8)			
NS	1868247S	BLOWER ASSY (10 X 8) [OBSOLETE] (M3, M4, M9, M12)			
NS	1868248S	BLOWER ASSY (11 X 10) [OBSOLETE] (M5, M10, M13, M14)			

Expanded Model Nomenclature

M1 - GDPI050-3
M2 - GDPI075-3
M3 - GDPI075-4
M4 - GDPI100-4
M5 - GDPI120-5
M6 - GDPS050-2
M7 - GDPS075-3
M8 - GDPS100-3
M9 - GDPS100-4
M10 - GDPS120-5
M11 - GDPX050-3B
M12 - GDPX075-4B
M13 - GDPX100-5B
M14 - GDPX120-5B

Misc. Electrical and Hardware



Misc. Electrical and Hardware

Ref. Part No:	Ref. Part No:	Description:	Description:
---------------	---------------	--------------	--------------

Image 1:

11	B1141605	TRANSFORMER 120V TO 24V, 40 VA
21	B1809904	SOLID STATE CONTROL
31	B1370126	AIR PRESSURE SWITCH (M1, M2, M3, M4, M6, M7, M8, M9, M11, M12, M13)
31	B1370133	AIR PRESSURE SWITCH (M5, M10, M14)
41	B1370818	INTERLOCK SWITCH
51	B1859000	VENT MOTOR

Expanded Model Nomenclature

M1 - GDPI050-3
M2 - GDPI075-3
M3 - GDPI075-4
M4 - GDPI100-4
M5 - GDPI120-5
M6 - GDPS050-2
M7 - GDPS075-3
M8 - GDPS100-3
M9 - GDPS100-4
M10 - GDPS120-5
M11 - GDPX050-3B
M12 - GDPX075-4B
M13 - GDPX100-5B
M14 - GDPX120-5B

